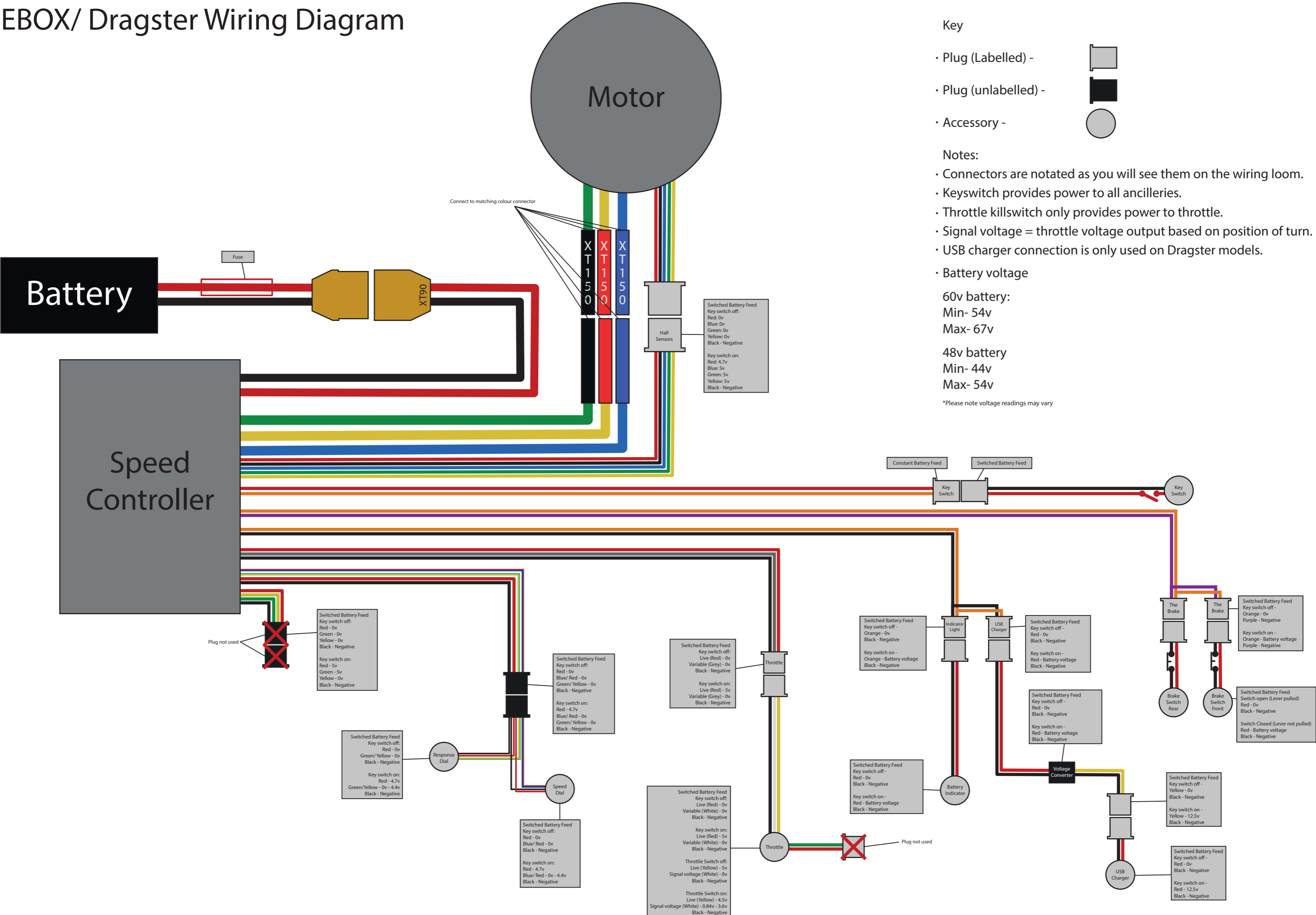





# EBOX/ Dragster Wiring Diagram



## Key

- Plug (Labelled) - 
- Plug (unlabelled) - 
- Accessory - 

## Notes:

- Connectors are notated as you will see them on the wiring loom.
- Keyswitch provides power to all ancillaries.
- Throttle killswitch only provides power to throttle.
- Signal voltage = throttle voltage output based on position of turn.
- USB charger connection is only used on Dragster models.
- Battery voltage

60v battery:

Min- 54v

Max- 67v

48v battery

Min- 44v

Max- 54v

\*Please note voltage readings may vary